



OHLE PRODUCT GUIDE - OO Gauge

SET E1 - Mono-Boom Anchor Portal SERIES 1

SET E2 - SERIES 1 Twin Track Cantilever

SET E3 - SERIES 1 Single Insulated Cantilever

SET E4 - SERIES 2 Two Track Cantilever

SET E5 - OHLE Accessories

SET E6 - 1500v DC I-Beam Type Structures

SET E7 - 1500v DC Lattice Framework Structures

SET E8 - 1500v DC A-Frame Type Structures

SET E13 - Southern Region 750v DC Overhead



OHLE Structure (Incl. Bases) +

Choose Registration Arms +

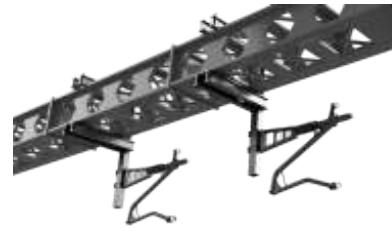
Add extra Detail



SET E1-1

SERIES 1

Mono-Boom Anchor Portal
(Adjustable Span up to 4 tracks)
with Magnetic Bases



SET E1-3 / E1-4

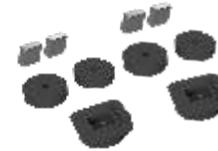
Registration Arms (Left/Right)
(for use without wires)

or



SET E1-5 / E1-6

Magnetic Registration
Arms (Left/Right)
(for use with Peco Wires)



SET E1-8

Additional Magnetic
Base Kit



SET E5-7

APC Magnets



SET E5-4

Red Bonds



SET E5-8

Insulators



SET E5-3

Track Impedance Unit



SET E1-7

Wire Tensioners



SET E5-5

Pantograph Inspection
Equipment



SET E1-2

Structure Extension Kit
(if you want to span
more than 4 tracks)



SET E5-9

LWR Expansion Joints

Select Mast (incl. Base) +

Choose Registration Arms

+ Add extra Detail



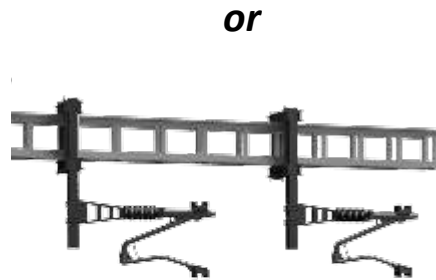
SET E2-1

Series 1 OHLE Mast
95mm Arm
with Magnetic Base

SET E2-9 / E2-10 / E2-11
Registration Arms (Left/Right/Combined*)
(for use without wires)

SET E2-6
Additional Magnetic
Base Kit

SET E5-4
Red Bonds



SET E2-2

Series 1 OHLE Mast
115mm Arm
with Magnetic Base

or

SET E5-3
Track Impedance Unit

SET E5-7
APC Magnets

SET E5-8
Insulators



SET E2-12 / E2-13 / E2-14
Magnetic Registration
Arms (Left/Right/Combined*)
(for use with Peco Wires)



SET E2-5

Series 1 OHLE Mast
115mm Arm
for Platforms
with Magnetic Base

SET E5-9
LWR Expansion Joints

SET E2-7
Wire Tensioners
& Conductor
Wire Mount

SET E5-5
Pantograph Inspection
Equipment

* Combined Registration Arms - Coming Soon

*Future
Release*
SET E2-8
Transformer

Select Single Insulated Cantilever Mast (incl. Base)



Add extra Detail



SET E3-1

Series 1 SIC Mast
Inner Type (76mm) with
Registration Arm
(for use without wires)
with Magnetic Base



SET E3-3

Series 1 SIC Mast
Inner Type (76mm) with
Magnetic Registration Arm
(for use with Peco wires)
with Magnetic Base

or



SET E3-2

Series 1 SIC Mast
Outer Type (66mm) with
Registration Arm
(for use without wires)
with Magnetic Base



SET E3-4

Series 1 SIC Mast
Outer Type (66mm) with
Magnetic Registration Arm
(for use with Peco wires)
with Magnetic Base



SET E5-7

APC Magnets



SET E5-4

Red Bonds



SET E2-6

Additional Magnetic
Base Kit



SET E5-8

Insulators



SET E5-3

Track Impedance Unit



SET E5-9

LWR Expansion Joints

Select Mast (incl. Base)



SET E4-1
Series 2 OHLE Mast
100mm Arm
with Magnetic Base

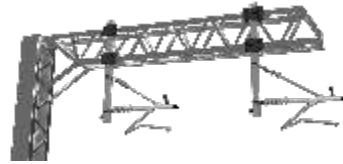


SET E4-2
Series 2 OHLE Mast
130mm Arm
with Magnetic Base



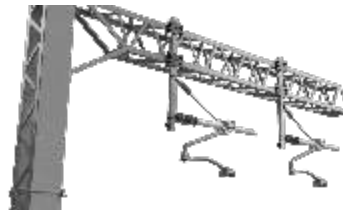
SET E4-3
Series 2 OHLE Mast
130mm Arm for Platforms
with Magnetic Base

Choose Registration Arms



SET E4-4 / E4-5
Registration Arms (Left/Right)
(for use without wires)

or



SET E4-6 / E4-7
Magnetic Registration
Arms (Left/Right)
(for use with Peco Wires)

+

Add extra Detail



SET E4-9
Additional Magnetic
Base Kit



SET E5-7
APC Magnets



SET E5-4
Red Bonds



SET E5-3
Track Impedance Unit



SET E4-8
Wire Tensioners



SET E5-8
Insulators



SET E5-9
LWR Expansion Joints



SET E4-10
Conductor Wire Mounts



SET E5-5
Pantograph Inspection
Equipment

*Future
Release*

SET E5-6
Mast with Transformer

Select Mast kit (incl. Bases)



SET E6-1
I-Beam Masts
for 2-Track 170mm Span
with Magnetic Bases



SET E6-2
I-Beam Tall Masts
for 2 Track
130mm Span
with Magnetic Bases



SET E6-3
I-Beam Platform
Masts for 2- Track
170mm Span
with Magnetic Bases



SET E6-4
DC I-Beam
Viaduct Masts
with Magnetic Bases



SET E6-5
I-Beam Top Braced Masts
for 4-Track 230mm Span
with Magnetic Bases



SET E6-6
I-Beam Supported Masts (3)
for 2+2 Track 170mm Spans
with Magnetic Bases

*Future
Release*



Registration Arms



SET E6-11
Single Magnetic Registration Arms (2)
& 2 Catenary Wire Supports
(for use with Peco wires)

or



SET E6-12
Double Magnetic Registration Arm
& 2 Catenary Wire Supports
(for use with Peco wires)



Additional Parts



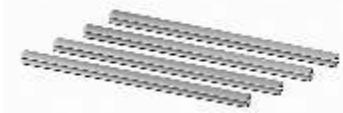
SET E4-9
Additional Magnetic
Base Kit



SET E6-13
Additional Viaduct Mast
Magnetic Base Kit
(Spares for E6-4)



SET E6-10
30 & 60mm Span Beams
Extension piece
(Use with E6 SETS)



SET E6-16
Alternative Span Beams
for 145mm Viaducts
(use with SET E6-4)



SET E5-8
Insulators



SET E6-17
Single Track Alternative
Span Beams
(Use with SETS E6-1, E6-2, E6-3 & E6-5)

1500v DC OHLE (I-Beam Type)

SET E6

PLEASE REFER TO THE WEBSITE
FOR FULL PRODUCT DETAILS

www.westhillwagonworks.co.uk

Select Cantilever Mast kit (Incl. Bases)

+

Registration Arms

+

Additional Parts



SET E6-7
I-Beam Mast
Single Track Cantilever
with Magnetic Base

SET E6-8
I-Beam Tall Mast
Single Track Cantilever
with Magnetic Base



SET E6-9
I-Beam Masts - 2-Track
for Wire Mounted Registration
Arms, with Magnetic Bases

NOTE
Sets E6-7 and E6-8
are each supplied with
a Magnetic type
Registration Arm



SET E4-9
Additional Magnetic
Base Kit



SET E5-8
Insulators

SET E6-15
I-Beam Wire Mounted Registration
Arms & Tall Catenary Wire Support Set
Magnetic Type - for kit E6-9
(for use with Peco Wires)



Select Mast kit (Incl. Bases)



Registration Arms



Additional Parts



SET E7-01

Lattice Slim Type Masts
for 2-Track 130mm Span
with Magnetic Bases



SET E7-03

Lattice Type Double Mast
with 2 Single Cantilever Spans
with Magnetic Base



SET E7-02

Lattice Type Masts
for 4-Track 230mm Span
with Magnetic Bases



SET E7-06

Lattice Type Double Sided Mast
for Platforms with Magnetic Base



SET E7-05

Lattice Type Masts
for Platforms 190mm Span
with Magnetic Bases



SET E7-10

Single Magnetic Registration Arms (2)
& 2 Catenary Wire Supports
(for use with Peco wires)

or



SET E7-11

Double Magnetic Registration Arm
& 2 Catenary Wire Supports
(for use with Peco wires)



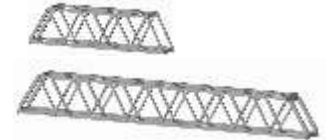
SET E4-9

Additional Magnetic
Base Kit



SET E5-8

Insulators



SET E7-12

Lattice Type
Additional 2-Track &
Cantilever Spans



SET E7-16

Lattice Type
100mm Extension Span

1500v DC OHLE (Lattice Type)

SET E7

PLEASE REFER TO THE WEBSITE
FOR FULL PRODUCT DETAILS
www.westhillwagonworks.co.uk

Select Mast kit (Incl. Bases)



SET E7-04

Lattice Type Masts
2-Track 130mm Span
for Wire Supported Registration Arms
with Magnetic Bases

+

Registration Arms



SET E7-17

Single Magnetic Wire Supported
Registration Arms (2)
& 2 Catenary Wire Supports for
fitting to kit E7-4
(for use with Peco wires)

+

Additional Parts



SET E4-9

Additional Magnetic
Base Kit



SET E7-12

Lattice Type
Additional 2-Track &
Cantilever Spans



SET E5-8

Insulators



SET E7-16

Lattice Type
100mm Extension Span



SET E7-18

Lattice Type
45mm Extension Spans

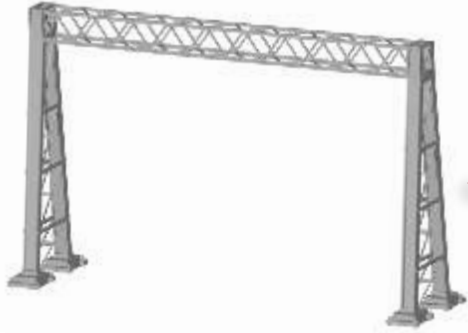
Select Mast kit (Incl. Bases)



Registration Arms



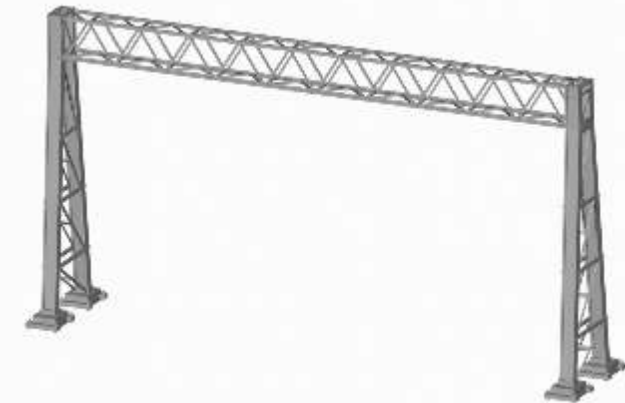
Additional Parts



SET E8-01
A-Frame Type Masts
for 2-Track 130mm Span
with Magnetic Bases



SET E8-02
A-Frame Type Masts
for 4-Track 230mm Span
with Magnetic Bases



SET E8-03
A-Frame Type Masts
Taller Type for 3-Track 180mm
Span with Magnetic Bases



SET E8-10
Single Magnetic Registration Arms (2)
& 2 Catenary Wire Supports
(for use with Peco wires)



SET E4-9
Additional Magnetic
Base Kit



SET E5-8
Insulators

1500v DC OHLE (A-Frame Mast Type) SET E8

PLEASE REFER TO THE WEBSITE
FOR FULL PRODUCT DETAILS

www.westhillwagonworks.co.uk

Select Mast kit (Incl. Bases)



Additional Parts



SET E4-9

Additional Magnetic
Base Kit



SET E5-8

Insulators

SET E13-01

Southern Region 750 DC Type Masts
3 x Cantilever Structures
with Magnetic Bases

Regarding the spacing of OHLE masts along your track; the real railway mast spacing can be vary between about 20metres and 70metres which equates to 260 to 920mm in OO Gauge.

In general mast spacing is likely to be closer together at junctions and on sharper curves.

The Peco wires are available in the following lengths 200mm, 260mm, 340mm, 380mm and 500mm, so if you are fitting wires then it makes sense to space your masts to suit the Peco wire lengths.

Mast Spacer Tools
are available

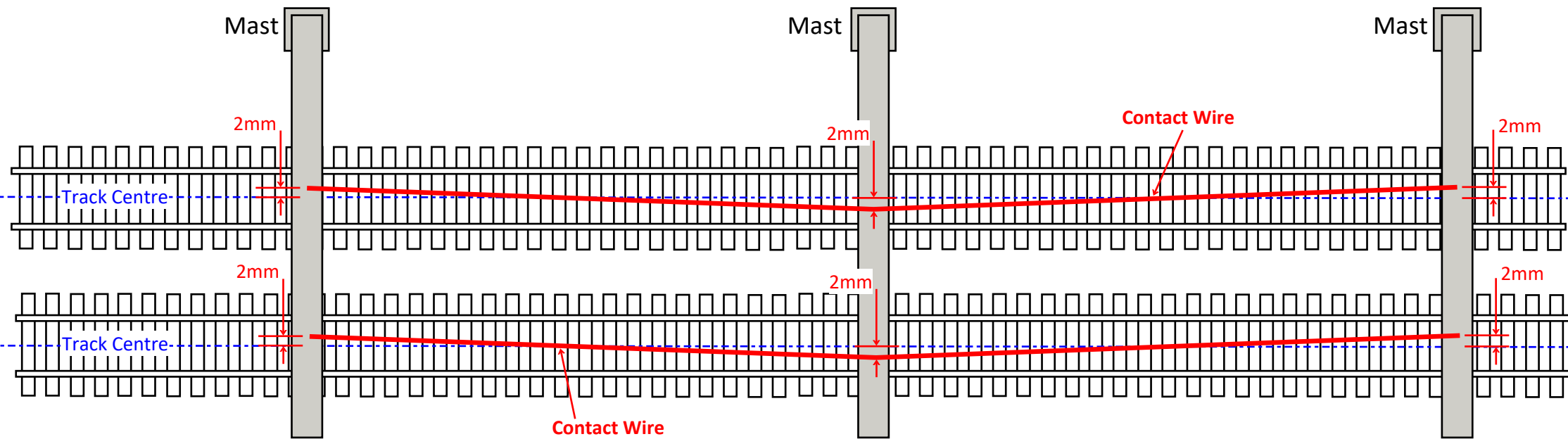


SET E5-10
Mast Spacer Tool
Set

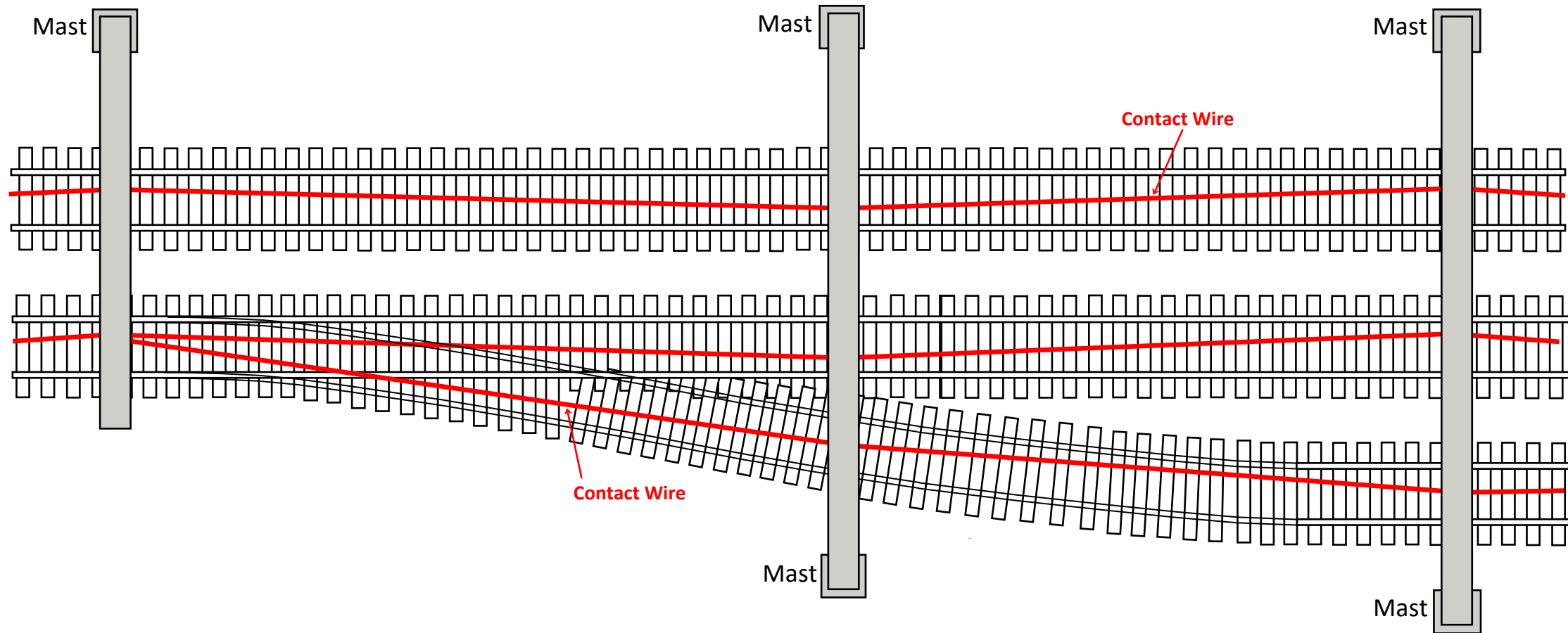
(Includes 200, 260, 300
and 360mm Spacers)

OHLE Wire Stagger

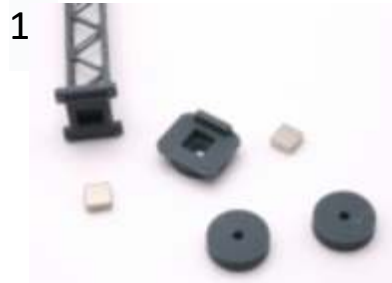
On the real railway the contact wire is staggered so that the current collection pantograph on the train wears evenly. When installing the registration arms they should be positioned such that the contact wire has a stagger of 2mm either side of the track centre line when looking from above.



OHLE at Junctions



Fitting the Magnets to the Masts and Mast Bases



1 Mast, 2 Magnets, 1 Base
2 Spacers



Apply a little glue into the
hole in the bottom of
the Mast



Glue one magnet into the
Mast



The Base can be attached
on to your layout using
glue, a screw or a track pin.
Add spacers to raise base
height if desired



Attach the base to the
desired location on top of
the board beside the track.
Ensure there is enough
clearance for trains to pass



Apply glue to the hole in
the base; only in the hole
not on the top face of the
base



Put the second magnet
onto the first one that you
glued into the Mast



Stand the Mast in position
on the base and allow the
glue to dry



Check the two magnets are
securely glued in place by
carefully lifting the Mast

Fitting the Magnets to the Registration Arms



1
Magnetic Registration Arm & Catenary Wire Support Kits are supplied with Magnets + a couple of spares Magnets



2
Use fine pointed metal tweezers to hold the magnet. Use a cocktail stick to apply a very small spot of glue into the cup in the Registration Arm or Catenary Wire Support



3
Carefully align the magnet with the cup and gently squeeze into place until the magnet is fully home

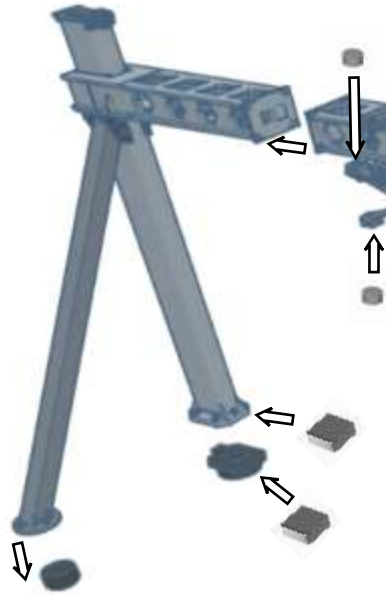


4
Attach the registration Arms and Catenary Wire Supports to the Mast Structures as shown in the respective section of this guide

Magnetic Registration Arms and Catenary Wire Support kits are intended for use with Peco type OHLE wires

Assembly of SET E1 - Mono-Boom Anchor Portal Masts

Fit the span sections together as shown, secure with a little glue. Ensure the span sections are aligned and straight. Span extension sections are fitted in the same manner

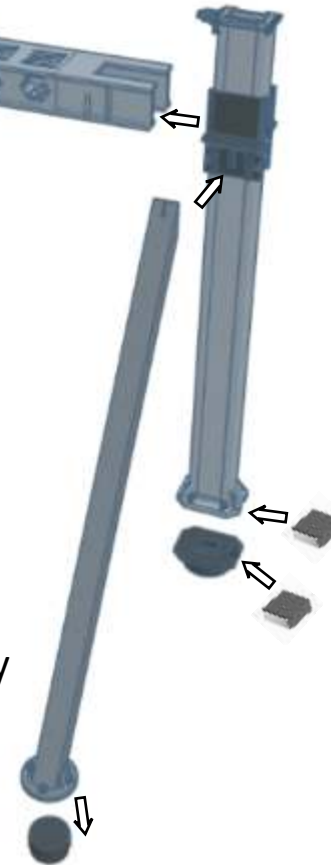


Fit the magnets to the Bases and Masts as per the respective section of this guide

Fit the magnets to Magnetic Type Registration Arms / Catenary Wire Supports as per the respective section of this guide

Fit the support to each Mast.

The round bases may be fitted onto your layout to sit under the support ends

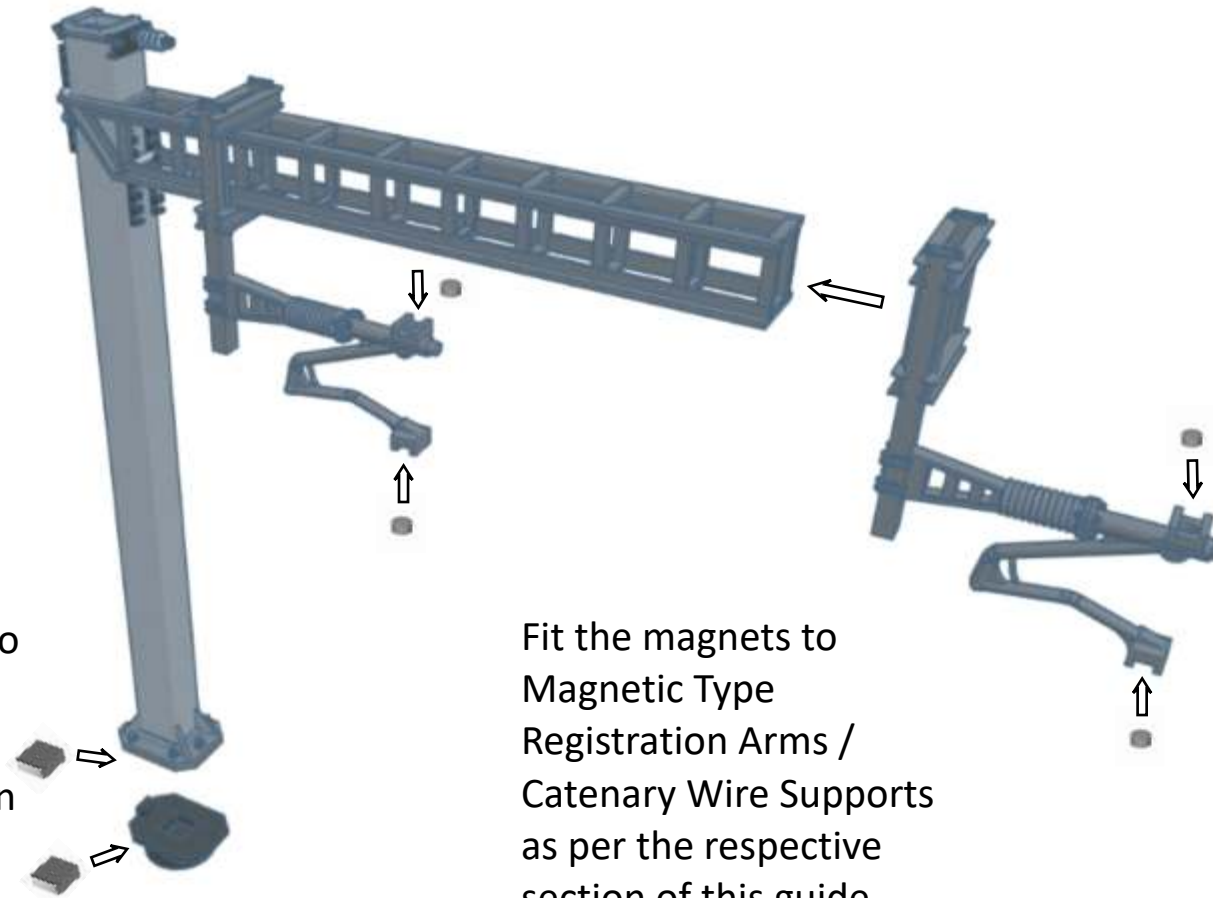


Fit the Masts into the outer span sections as shown, secure with a little glue.

Ensure the Masts are vertical

Once the structure is positioned on the layout, slide the Registration Arms / Catenary Wire Supports onto the Structure. A small spot of glue may be required to hold them in place

Assembly of SET E2 - Series 1 Cantilever Masts



Fit the magnets to the Bases and Masts as per the respective section of this guide

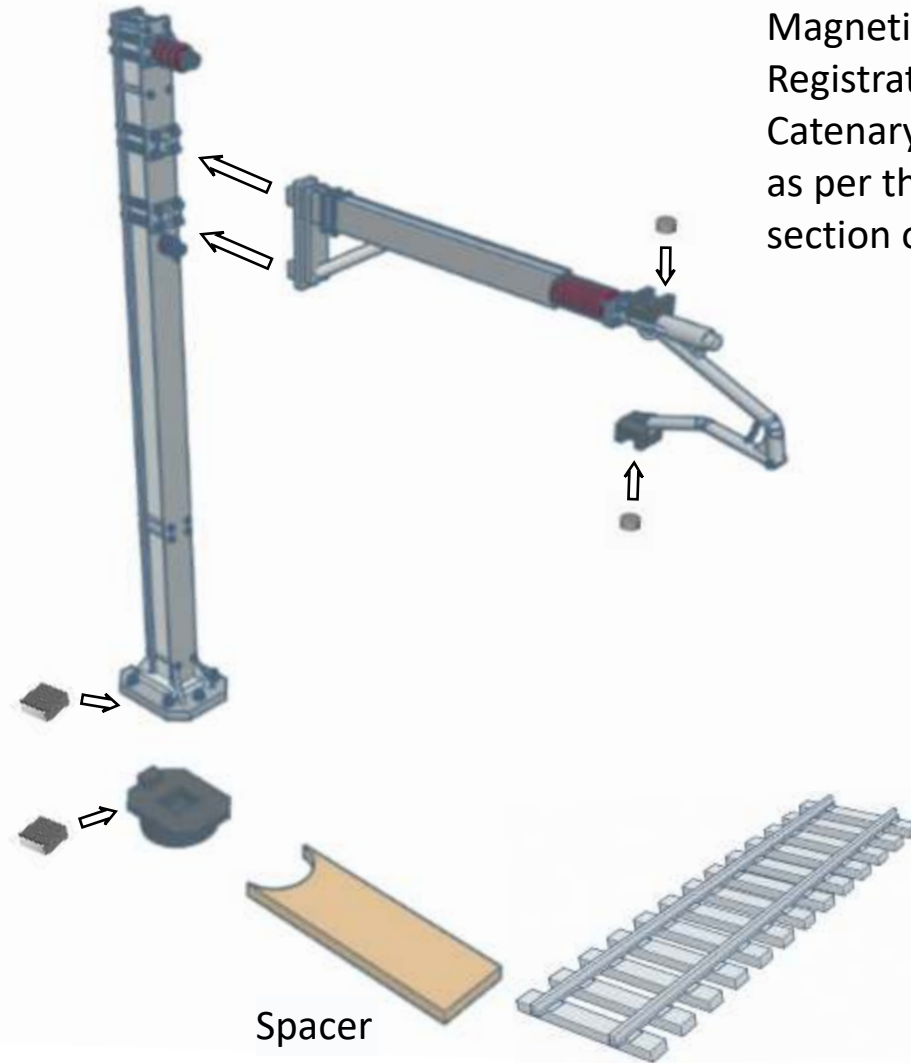
Fit the magnets to Magnetic Type Registration Arms / Catenary Wire Supports as per the respective section of this guide

Once the structure is positioned on the layout, slide the Registration Arms / Catenary Wire Supports onto the Mast. A small spot of glue may be required to hold them in place

Assembly of SET E3 - Series 1 SIC Masts

Fit the Cantilever part to the Mast as shown; this is a push-fit.
A very small spot glue can be used if desired.
Ensure the Cantilever is aligned with the Mast

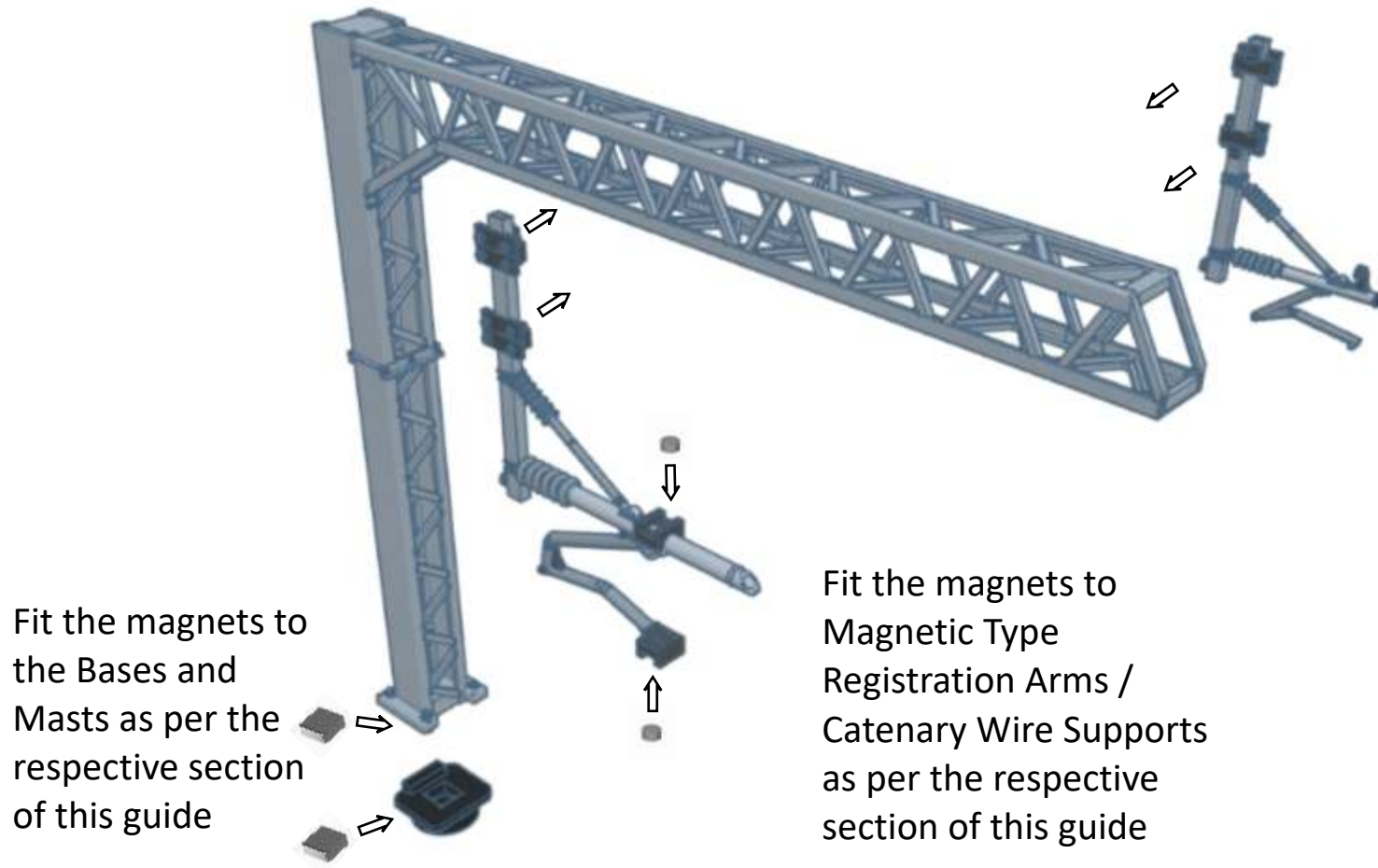
Fit the magnets to the Bases and Masts as per the respective section of this guide



Fit the magnets to
Magnetic Type
Registration Arms /
Catenary Wire Supports
as per the respective
section of this guide

The spacer tool provided
can be used to ensure the
mast is the correct distance
away from the track

Assembly of SET E4 - Series 2 Cantilever Masts

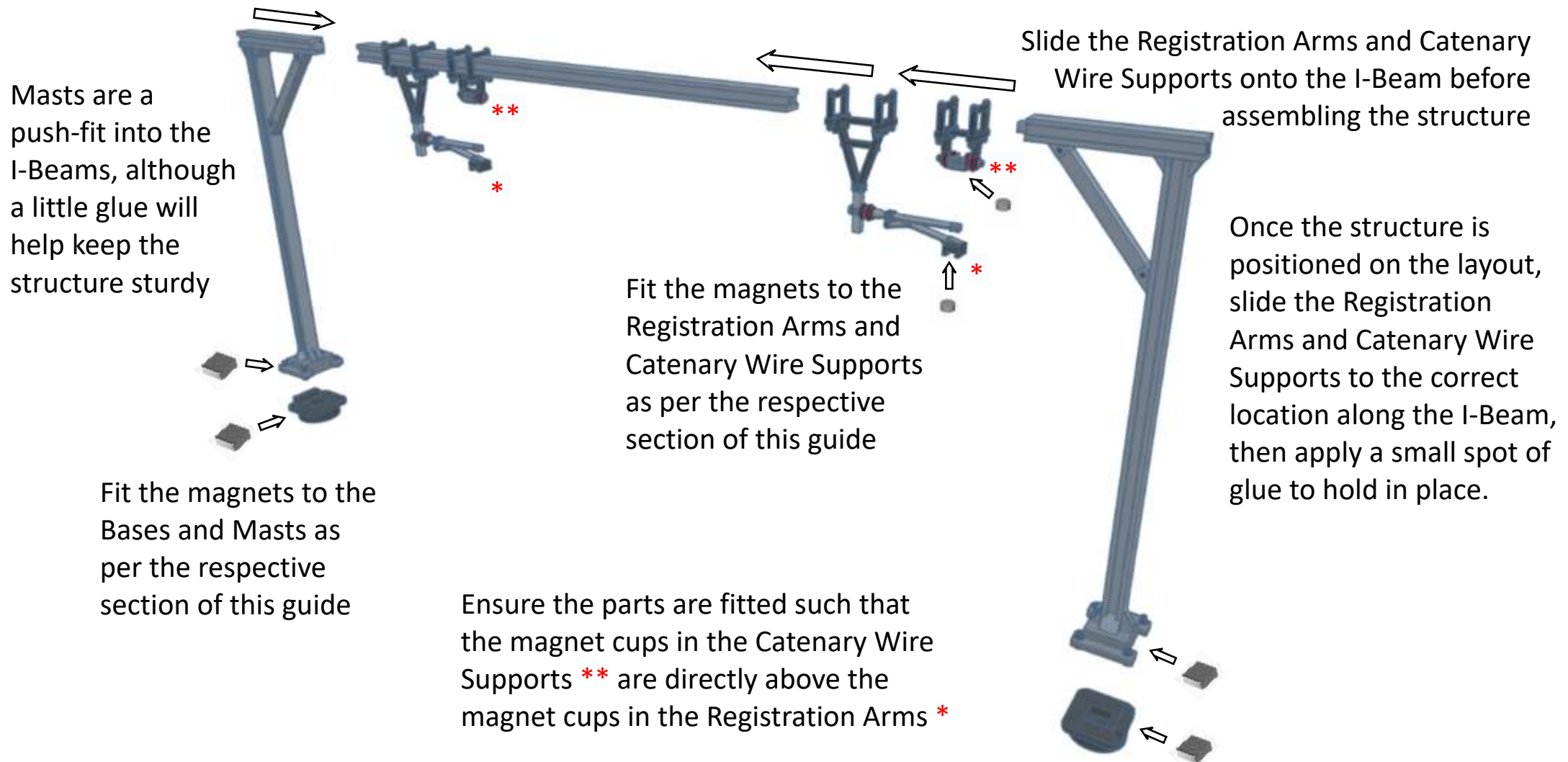


Fit the magnets to the Bases and Masts as per the respective section of this guide

Fit the magnets to Magnetic Type Registration Arms / Catenary Wire Supports as per the respective section of this guide

Once the structure is positioned on the layout, clip the Registration Arms / Catenary Wire Supports onto the side of the Mast. A small spot of glue may be required to hold them in place.

Assembly of SET E6 - 1500vDC I-Beam Masts (E6-1, E6-2, E6-3, E6-5 & E6-6)



Assembly of SET E6-4 - 1500vDC I-Beam Viaduct Masts E6-4)

Masts are a push-fit into the I-Beam, although a little glue will help keep the structure sturdy

Fit the magnets to the Bases and Masts as per the respective section of this guide

Note, for the Viaduct E6-4 Masts and Bases the Magnets sit vertical as shown (not flat)

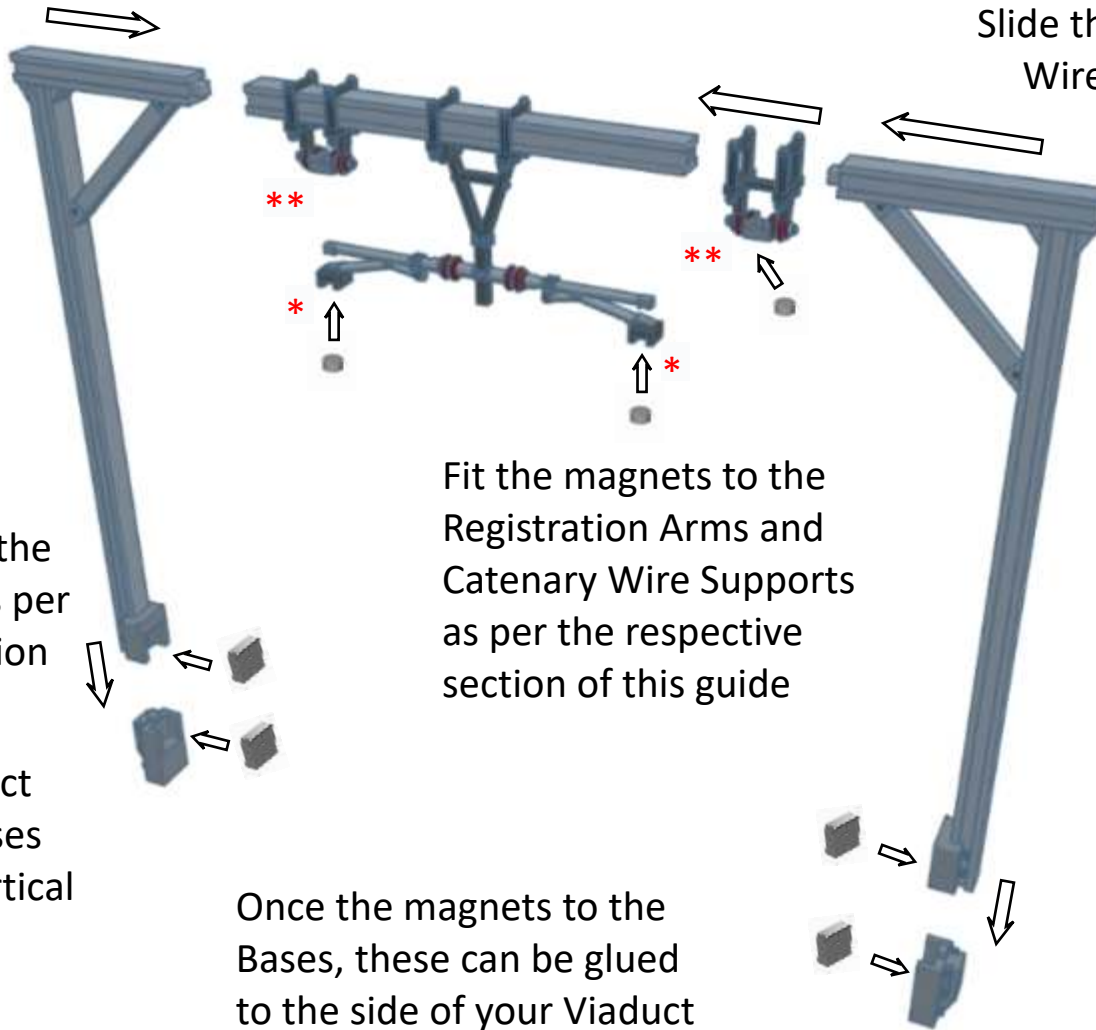
Once the magnets to the Bases, these can be glued to the side of your Viaduct

Fit the magnets to the Registration Arms and Catenary Wire Supports as per the respective section of this guide

Slide the Registration Arms and Catenary Wire Supports onto the I-Beam before assembling the structure

Once the structure is positioned on the layout, slide the Registration Arms and Catenary Wire Supports to the correct location along the I-Beam, then apply a small spot of glue to hold in place.

Ensure the parts are fitted such that the magnet cups in the Catenary Wire Supports ** are directly above the magnet cups in the Registration Arms *

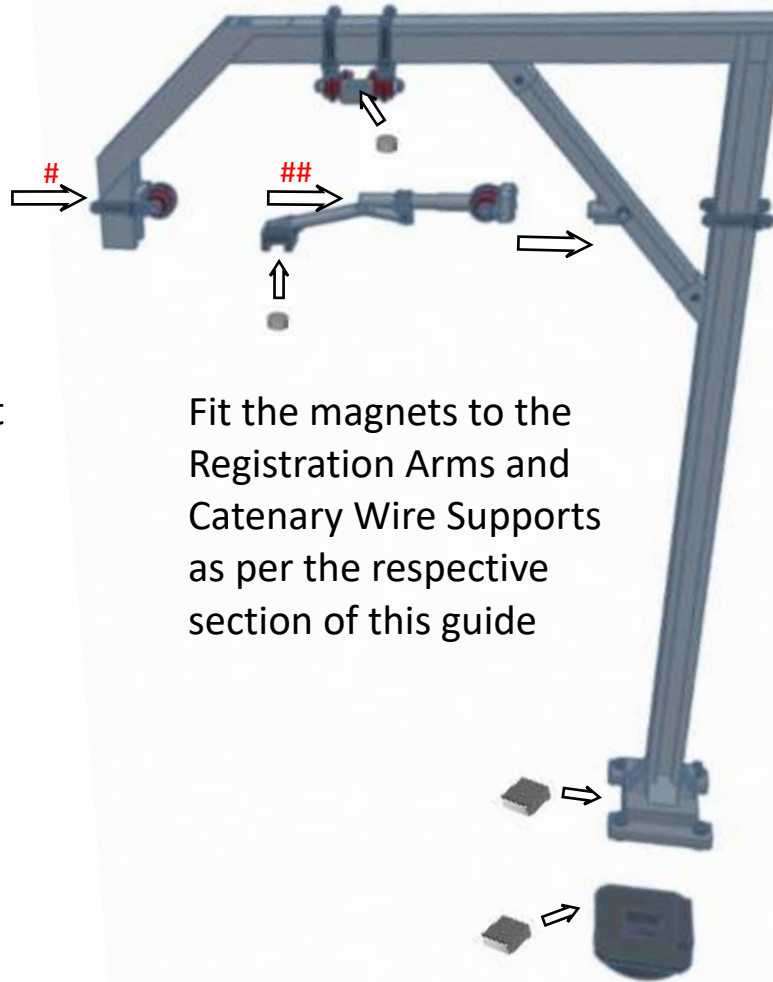


Assembly of SET E6-7 / E6-8 - 1500vDC I-Beam Single Track Cantilever Masts

40mm (approx) x 0.5mm wire rod



For added detail a straight piece of 0.5mm solid wire cut to 40mm long may be fitted through the hole in the free end of the Mast (#) and into the hole in the Registration Arm (##)



Fit the magnets to the Registration Arms and Catenary Wire Supports as per the respective section of this guide

Once the magnet is fitted to the Registration Arm glue the Registration Arm to the Mast as shown, ensure the Registration Arm is the correct way up with the magnet pointing downwards

Fit the magnet to the Base and Mast as per the respective section of this guide

Assembly of SET E6-9 - 1500vDC I-Beam Mast kit for Wire Mounted Reg. Arms

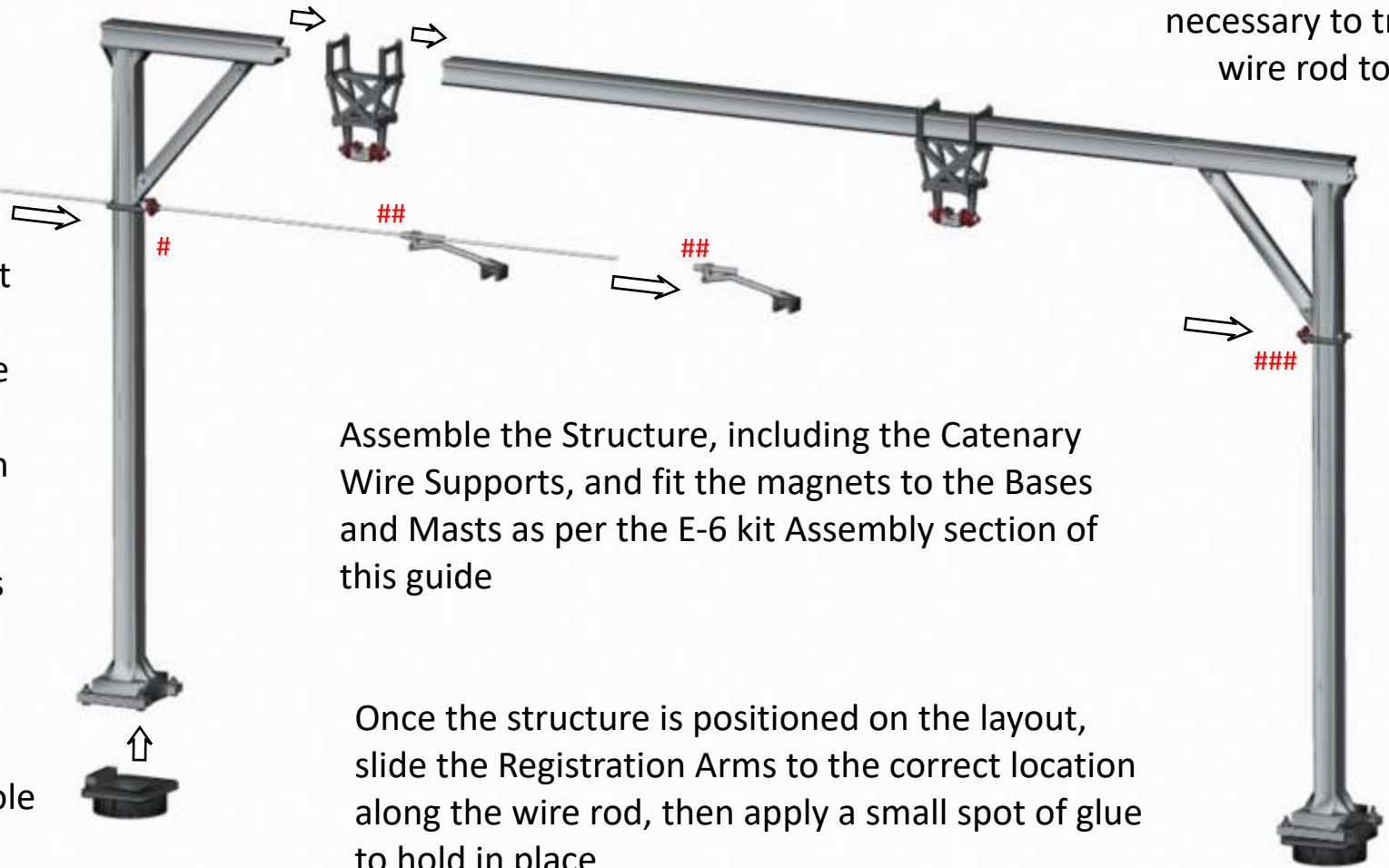
After Assembly it may be necessary to trim the wire rod to length

200mm (approx) x 0.5mm dia. wire rod

Cut a piece of 0.5mm straight solid wire rod to approx. 200mm. Fit through the hole in the Mast (#) and then carefully through the holes in the Registration Arms (##)

Ensure the Registration Arms are the correct way round to align with the Catenary Wire Supports

Feed the wire rod into the hole in the other Mast (###)

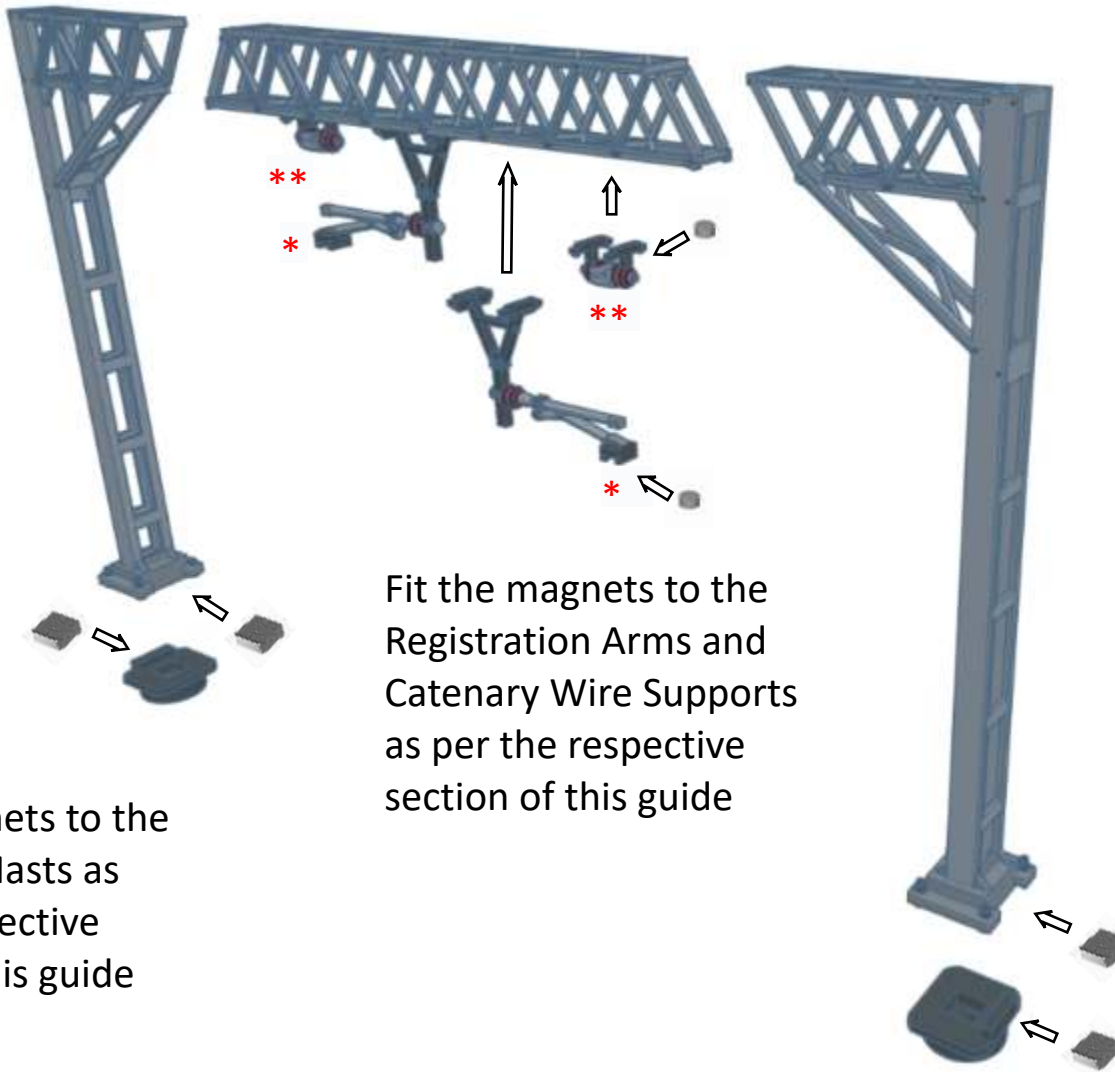


Assembly of SET E7 - 1500vDC Lattice Type Masts (E7-1, E7-2 & E7-3)

The Span has small lugs that slot into each Mast, a little glue is required to keep the structure sturdy.

Ensure the Masts are vertical and the top of the Span aligns with the top of the Masts before the glue sets

Fit the magnets to the Bases and Masts as per the respective section of this guide



Fit the magnets to the Registration Arms and Catenary Wire Supports as per the respective section of this guide

Once the structure is positioned on the layout, attach the Registration Arms and the Catenary Wire Supports to the underside of the Span at the correct location along the Span with a small spot of glue to hold them in place

Ensure the parts are fitted such that the magnet cups in the Catenary Wire Supports ** are directly above the magnet cups in the Registration Arms *

Assembly of SET E7-4 - 1500vDC Lattice Type Masts for Wire Mounted Reg. Arms

150mm (approx) x 0.5mm
dia. wire rod

After Assembly it may be
necessary to trim the wire
rod to length

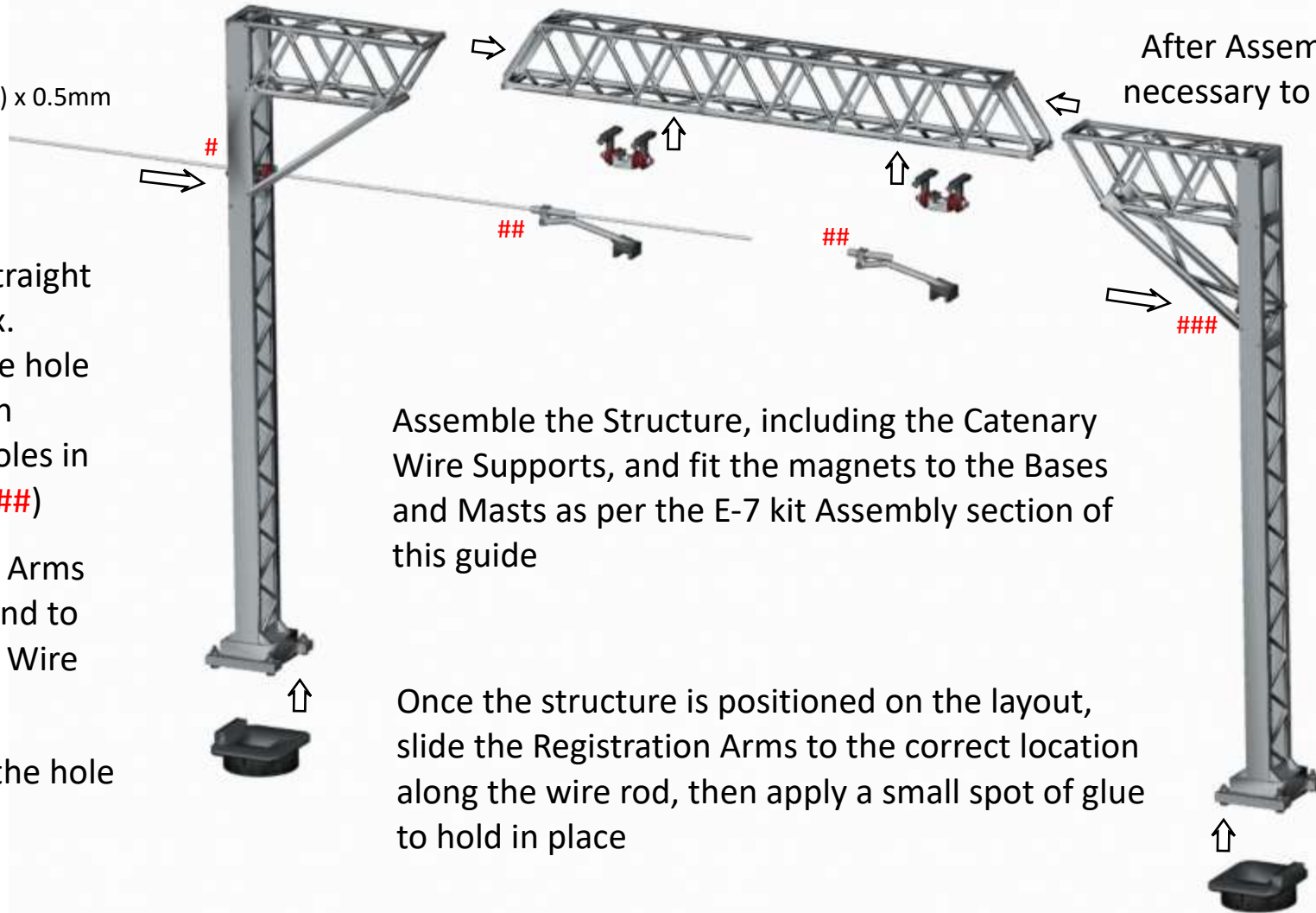
Cut a piece of 0.5mm straight
solid wire rod to approx.
150mm. Fit through the hole
in the Mast (#) and then
carefully through the holes in
the Registration Arms (##)

Ensure the Registration Arms
are the correct way round to
align with the Catenary Wire
Supports

Feed the wire rod into the hole
in the other Mast (###)

Assemble the Structure, including the Catenary
Wire Supports, and fit the magnets to the Bases
and Masts as per the E-7 kit Assembly section of
this guide

Once the structure is positioned on the layout,
slide the Registration Arms to the correct location
along the wire rod, then apply a small spot of glue
to hold in place

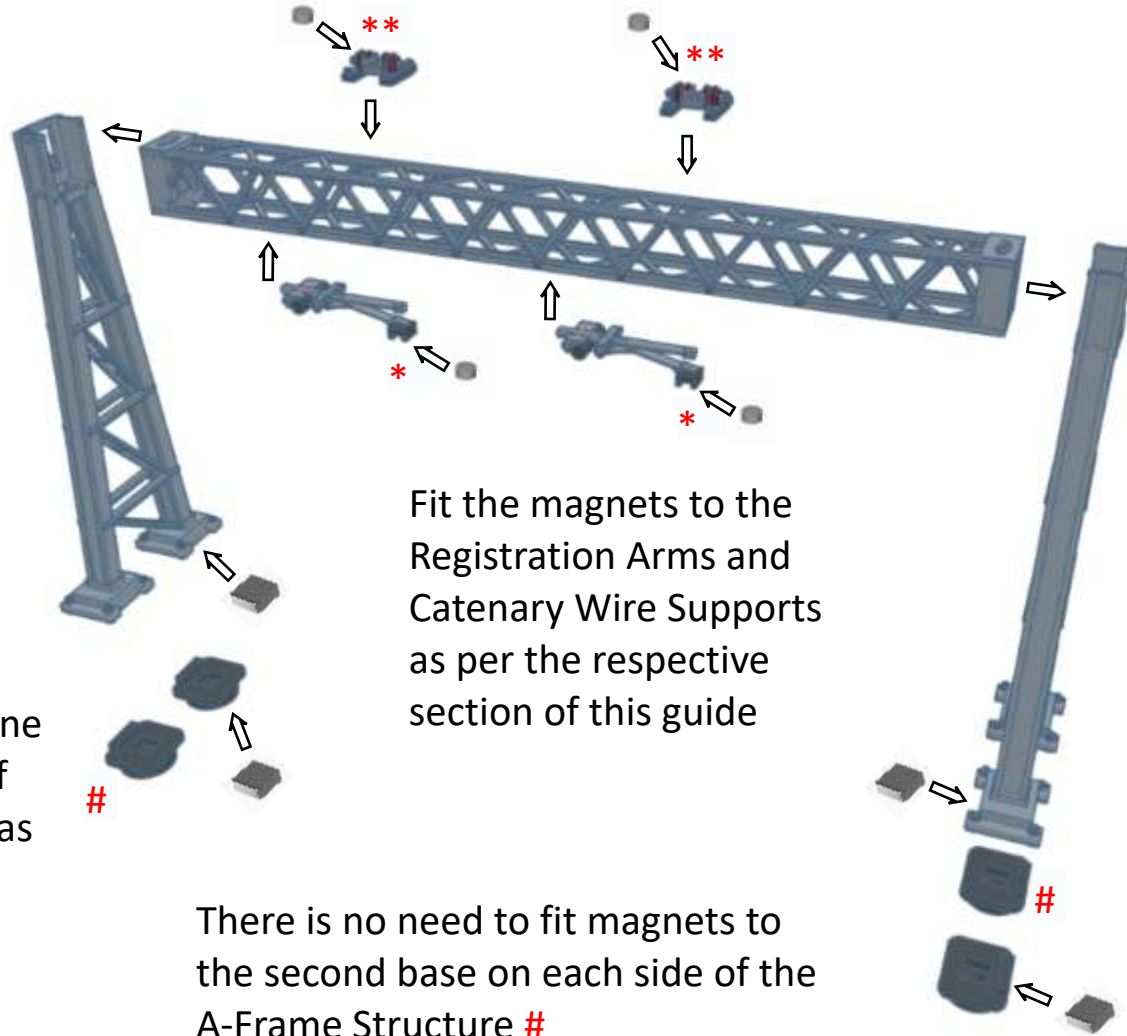


Assembly of SET E8 - 1500vDC A-Frame Masts

The Span slots into each Mast, a little glue is required to keep the structure sturdy. Ensure the Masts are vertical before the glue sets

Fit the magnets to one Base and one side of each A-Frame Mast as per the respective section of this guide

There is no need to fit magnets to the second base on each side of the A-Frame Structure #



Fit the magnets to the Registration Arms and Catenary Wire Supports as per the respective section of this guide

Once the structure is positioned on the layout, attach the Registration Arms below the Span, and the Catenary Wire Supports above the Span at the correct location along the Span with a small spot of glue to hold them in place

Ensure the parts are fitted such that the magnet cups in the Catenary Wire Supports ** are directly above the magnet cups in the Registration Arms *

Assembly of SET E13 - Southern Region 750v DC Single Cantilever Masts

Assemble the three parts of the mast and arm as shown. Ensure the bottom of the mast is at right angles to the arm.

Secure parts together with a very small spot of glue.

Cut a piece of 0.5mm straight solid wire rod to exactly 57mm.

Fit one end into the hole in the Mast (#) and then carefully clip the other end into the hole in the top/end of the Registration Arm (##)

Ensure the Mast and Arm are at right angles and secure the wire rod with a very small spot of glue at each end.

Fit the magnet to the Base and Mast as per the respective section of this guide

